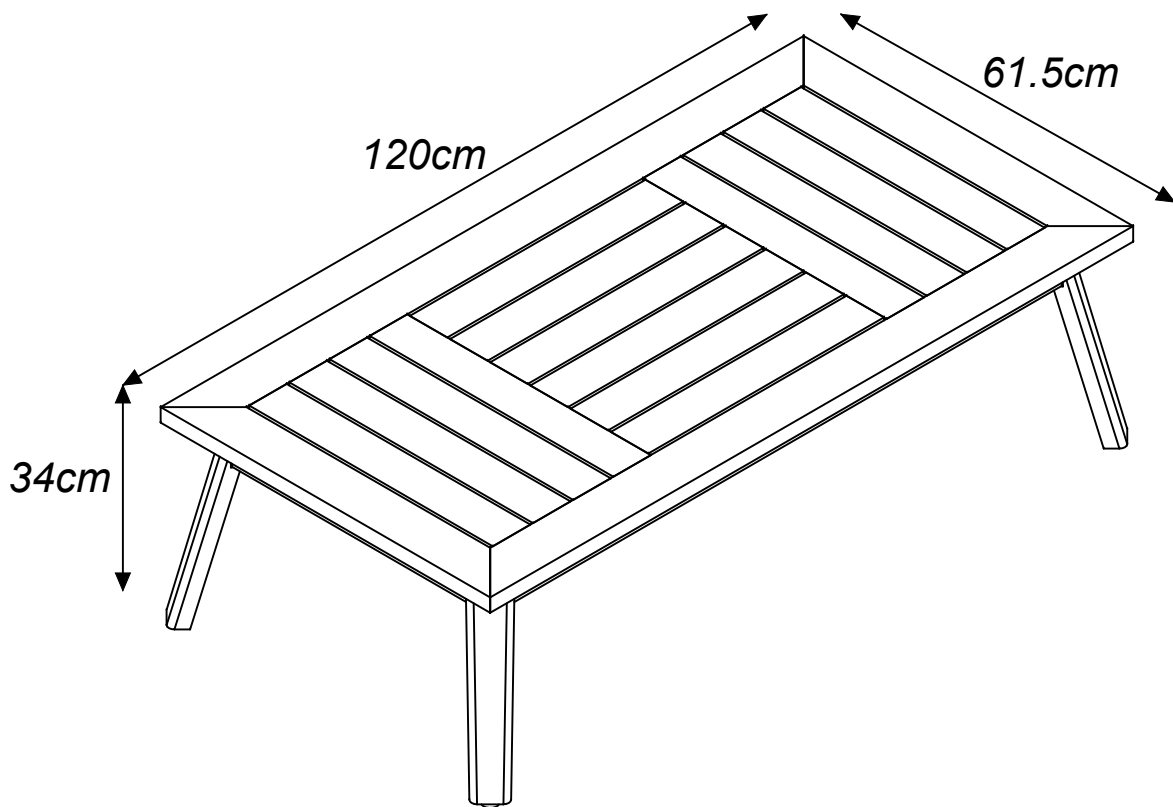


LIVING & CO[®]


Laguna Coffee Table



INSTRUCTION MANUAL

Maximum weight 50kg

AFTER SALES SUPPORT

 (NZ) 0800 422 274

Important Safety Instructions

READ CAREFULLY: SURFACE PREPARATION.

NOTE: Your furniture has already been factory treated with an oil preservative, however you **MUST** after unpacking and assembly of your furniture, thoroughly wipe clean your furniture removing any dust particles, then lightly re oil the furniture and let dry. **Immediate Oiling of your furniture is crucial to the longevity of your furniture.**

STEP 1 . IMPORTANT. After oiling wipe off excess oil, then allow the oil to dry for (4) hours, and then wipe off again with a clean rag removing any excess oil that may not have penetrated into the timber. Repeat wiping off excess oil if necessary.

Your furniture is now protected however repeat applications of the hardwood timber oil may be required. Before re- oiling check your furniture for any residue build up, if this occurs a light sanding may be required.

Note: The frequency of oiling will vary according to the climatic conditions in your area and direct exposure to the elements your furniture is subjected too. We recommend Karri Gum timber needs to be oiled a minimum of (3) three times a year.

NOTE: If KARRI GUM furniture is neglected with prolonged unprotected exposure to the elements this will cause the timber to discolor to a silvery grey, checking and hairline cracks may appear if in the event your setting does discolor to restore the timber, sanding and oiling will be required.

We recommend the furniture be stored with undercover protection during wintertime and wet season.

NOTE: ALL TIMBER FURNITURE GOES THROUGH A SETTLING IN PERIOD, FASTENERS MUST BE TIGHTENED REGULARLY. DO NOT LEAVE FASTENERS UNTIGHTENED THIS COULD CAUSE FURNITURE DAMAGE.

Important Safety Instructions

KARRI GUM timber is kiln dried under strict guidelines. Upon purchasing your furniture small hairline cracks may appear, this is part of the drying process of this particular timber species, these cracks will not deter the durability of the furniture, 3% shrinkage may occur in this species of timber.

Eucalyptus timber is kiln dried under strict guidelines. After purchasing your furniture, small hairline cracks may appear. This is a normal part of the drying process of this particular timber species. These cracks will not affect the durability of the furniture. 3% shrinkage may occur in this species of timber.

WARNING: Staining on Tuscan or light coloured pavers may occur from sap leeching and dust particles if the timber is not cleaned properly and weathered correctly, hose down your furniture and clean thoroughly before placing your furniture on light coloured pavers.

Assembly Details

10 Min

Approximate Assembly Time

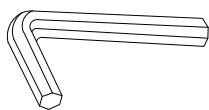


2 Person Assembly

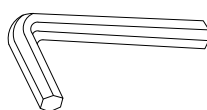
*Floor Area
2.2 x 1.7 meters*



Required Assembly Space



Required Assembly tools



Included tools

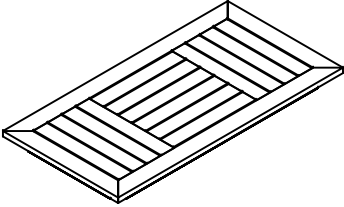
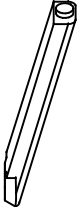
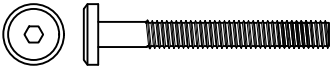
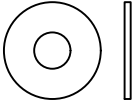
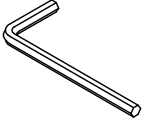
Tip before you start

- 1 Please check that all parts are present before you start the assembly of your furniture.
- 2 For ease and speed of assembly, we recommend that before you commence each step of the assembly, that you identify all the parts required for that step.
- 3 For larger items, please ensure that you have sufficient space and people (as indicated on page 1) to assemble your product safely.
- 4 We recommend that, where possible, all items are assembled near to the area in which.
- 5 They will be placed in use, to avoid moving the product unnecessarily once assembled.
- 6 For the protection of your furniture, we recommend that the product is placed on a protected surface during assembly to prevent any damage.
- 7 During assembly please take care not to over-tighten anything, as this may damage the product. Do not use power tools.
- 8 Always place the product on a steady and stable surface.
- 9 Do not stand on the product. Do not use the product as a stepladder.
- 10 This product is intended for indoor, household use only as it is a non-industrial product.
- 11 Please use caution and care when lifting the product to avoid personal injury and/or product damage.

Care and maintenance

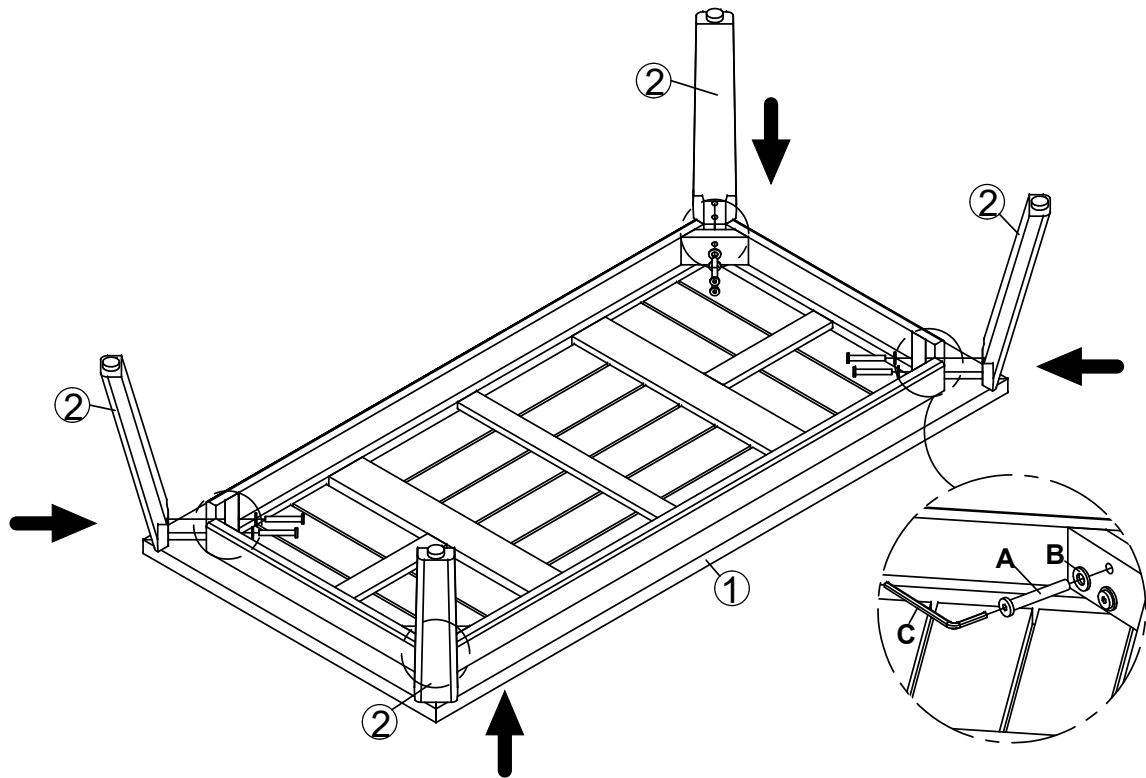
- ✓ Please periodically check all things and re-tighten as necessary.
- ✓ To clean your item, please use a damp cloth and wipe clean.
- ✓ Never allow any kind of liquid to remain on your furniture. Absorption can cause wood to warp or finishes to de-laminate.
- ✓ Please do not place hot items (eg. hot drinks) directly on to the surface.
- ✓ Please do not drag and pull your furniture.

Part name

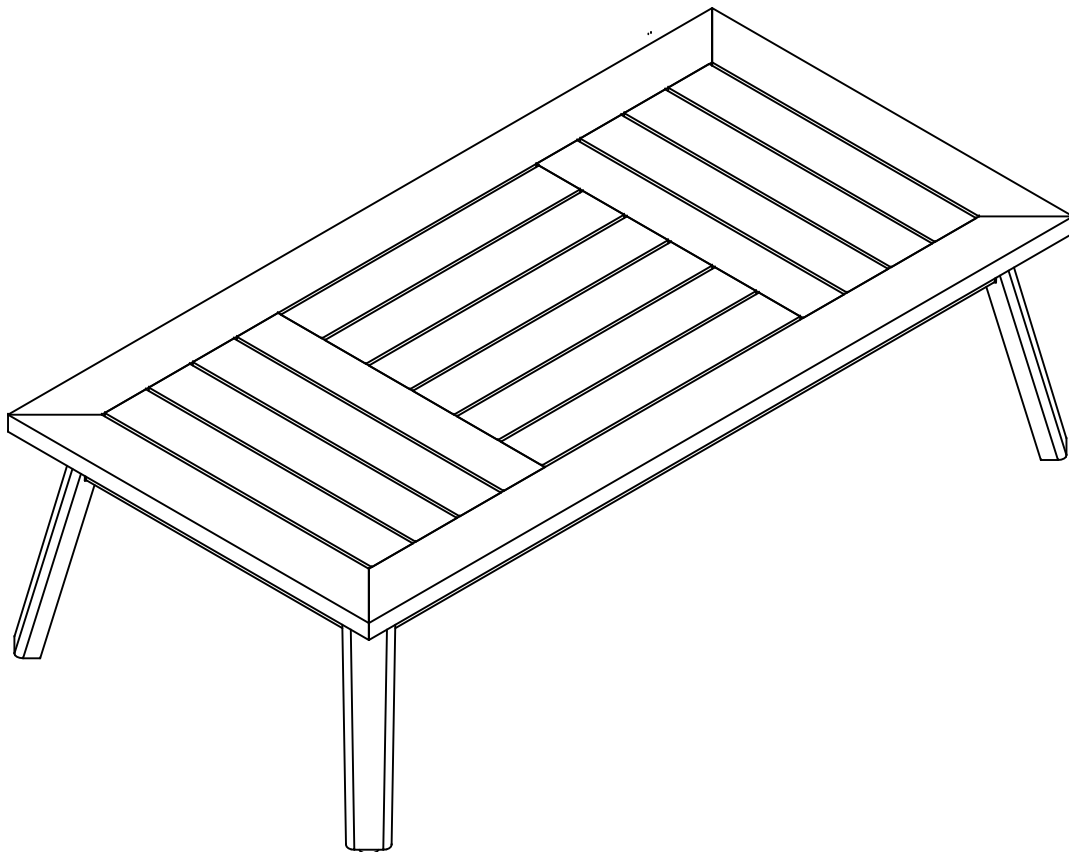
				 M8x55 mm		 M8.5x18 mm	
1	1 PC	2	4 PCS	A	8 PCS	B	8 PCS
 M4							
C	2 PCS						

Assembly

STEP 1: Attach 4 legs (2) to table top (1). Then insert bolt (A) through washers (B) into table top (1). Tighten with allen key (C). With two people carefully turn over.



ASSEMBLY IS COMPLETE





LIVING & CO[®]

Warranty

We pride ourselves on producing a range of quality products that are both packed with features and completely reliable. We are so confident in our products, we back them up with one year warranty.

Now you too can relax knowing that you are covered.

Customer Helpline NZ: 0800 422 274
This product is covered by one year warranty
when accompanied by proof of purchase.

AFTER SALES SUPPORT

 **NZ** 0800 422 274